

SHED AWNING

DURASOL COMMERCIAL DIVISION



The Shed Awning is a traditional style unit used to accent entrances and windows as well as protect customers from weather. This awning can easily accommodate graphics on both the body and the valance and is used extensively to create brand awareness and visibility.



Special Features and Benefits Include:

- ▶ Stationary awning
- ▶ Functional door and/or window accent
- ▶ Can be used to create a band of awnings over windows or complete façades
- ▶ Traditional look for restaurants, hotels and businesses
- ▶ Available in a broad array of fabrics
- ▶ Easily accommodates the addition of graphics



KE DURASOL
AWNINGS[®]
COMMERCIAL DIVISION

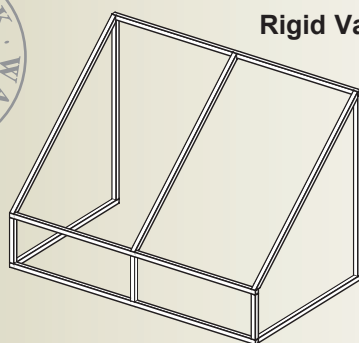
800.444.6131 • www.durasol.com • 38 Pond Lane, Suite B • Middlebury, VT 05753

PRODUCT OVERVIEW

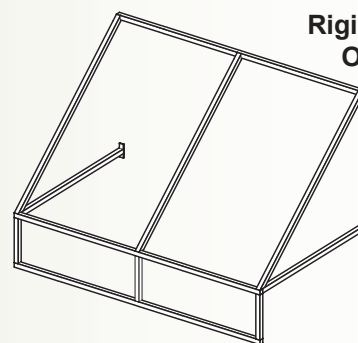
Primary Application: *Windows and Doors*

Width Range	4' - 25'
Drop & Projection Range	Up to 10'
Frame	Welded stationary awning
Frame Finish	Standard mill finish aluminum, alternate mill finish 1" galvanized steel
Mounting Options	Wall surface
Fabric Options	100% Acrylic Fabric colors, alternate vinyl fabrics available
Warranty	10 Years - Framework 5 Years - Powder Coated Frame 5 Years - Manufacturers Standard Fabric Warranty
Frame Color Options	A 30% up charge will be applied to the base price of the project for powder coated finishes. Standard colors are black, white, charcoal, hunter green, ivory, sand and brown. Other RAL colors are available and quoted on a per project basis.

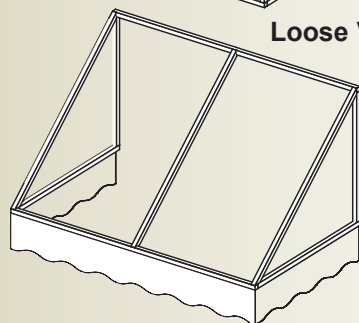
All prices are subject to change without prior notice.



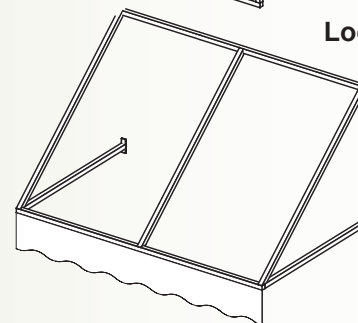
Rigid Valance



Rigid Valance Open Ends



Loose Valance



Loose Valance Open Ends

GO GREEN on Energy Cost!



Go Green and Reduce Energy Cost

Durasol retractable awnings effectively filter the sun's light creating a cool and relaxed environment. Solar heat gain is greatly reduced by limiting the amount of direct sunlight that enters a window or door.

The use of fabric awnings will **reduce solar heat by up to 90%*** and lower indoor temperatures by 10-15%, thus saving 25%* on air conditioning costs throughout the warmer months.

*Source: 2007 PAMA

Commercial Division Office: 38 Pond Lane, Suite B • Middlebury, VT 05753 • (800) 444-6131 Fax: (802) 388-9625

National Office: 445 Bellvale Road • Chester, NY 10918 • (888) 387-2765 Fax: (845) 692-1101

www.durasol.com